

- For indoor and outdoor installations
- Made in aluminium, painted with epoxy powder

WBLA • Wall bracket with swivel in non-corrosive aluminium alloy (anticorrosive), suitable for HGV housing

WBJA • Wall bracket with sturdy joint. It is suitable for medium and large extruded aluminium housings.

WBMA • Medium-duty die-cast aluminium wall bracket with integrated joint. It is particularly suitable for medium-small size housings.

WBOVA2 • Bracket with joint. It offers vandal proof protection, due to an internal cable channel. For IP55 protection, make a hole in the supplied sheath of 2mm less of the cable diameter and combine with the existing hole of the bracket. Optional sealing rings, OWBIP2 or OWBIP3, ensure IP66 protection for the bracket instead.

WBOV3A2 • Die-cast aluminium reinforcing support plate in weather-proof box, supplied with WBOVA2 bracket. When combined with a cable managed bracket, it allows wiring internally throughout the unit. The optional sealing rings OWBIP2 or OWBIP3 ensure a housing of IP66 protection.

WCM3A • Ceiling mount. It allows an easy position adjustment of the housing.

WCM4A2 • Ceiling mount with an internal cable channel. It combines an easy position adjustment with vandal proof protection. It is suitable for housings with cable management. The sealing rings OWBIP2 or OWBIP3 ensure a housing of IP66 protection.

WCM5A • Same features as WCM4A2 mount, but with exposed cable. Suitable for housings equipped with cable glands.

WCMPA • Linear extension for WCM4A2 and WCM5A mounts.

FWWCA • Column bracket with joint, suitable for all the housings equipped with cable glands.

OBJA • Ball joint of WBJA, WCM5A and WCM3A.



TECHNICAL DATA

4

HOUSINGS AND P&T MOTORS BRACKETS

HOUSING BRACKETS

Models	
WBLA	Wall bracket with ball joint
WBJA	Wall bracket with ball joint
OBJA	Only ball joint
WBMA	Wall bracket with ball joint
WBOVA2	Wall bracket with internal cable channel
WBOV3A2	WBOVA2 wall bracket, support plate and integrated junction box with internal cable channel
WCM3A	Ceiling bracket with ball joint
WCM4A2	Ceiling bracket with internal cable channel
WCM5A	Ceiling mount with ball joint
WCMPA	Extension for WCM4A2-WCM5A brackets
WFWCA	Parapet mount with ball joint

GENERAL

Constructed from die-cast aluminium
 Epoxy polyester powder painting, RAL9002 colour
 Supplied with housing screws
 Housing position adjustment is made with only one bolt

MECHANICAL

WBLA

Wall mounting
 In anticorrosive aluminium alloy
 Load rating: 70kg (154lb)
 Length: 457.5mm (18,7in)

WBJA

Wall mounting or on modular adapters
 Load rating: 25kg (55lb)
 Length: 285mm (11.2in)

WBMA

Wall mounting or on modular adapters
 Load rating: 25kg (55lb)
 Length: 227mm (8.9in)

WBOVA2

Vandal proof protection, due to internal cable management
 Wall mounting or on modular adapters
 Load rating: 25kg (55lb)
 Length: 204mm (8in)

WCM3A

Ceiling mounting
 Load rating: 15kg (33lb)
 Length: 300mm (11.8in)

WCM4A2

Internal cable management
 Ceiling mounting
 Load rating: 15kg (33lb)
 Length: 412mm (16.2in)

WCM5A

Ceiling mounting
 Load rating: 15kg (33lb)
 Length: 412mm (16.2in)

WCMPA

Extension 500mm (19.7in) for WCM4A2 and WCM5A

WFWCA

Column and parapet mounting
 Load rating: 15kg (33lb)
 Length: 185mm (7.3in)

OBJA

Ball joint of WBJA, WCM5A and WCM3A

ACCESSORIES

OWBIP2 Sealing rings kit (3xM16) to allow IP66/IP67 protection for WBOVA2, WCM4A2 brackets

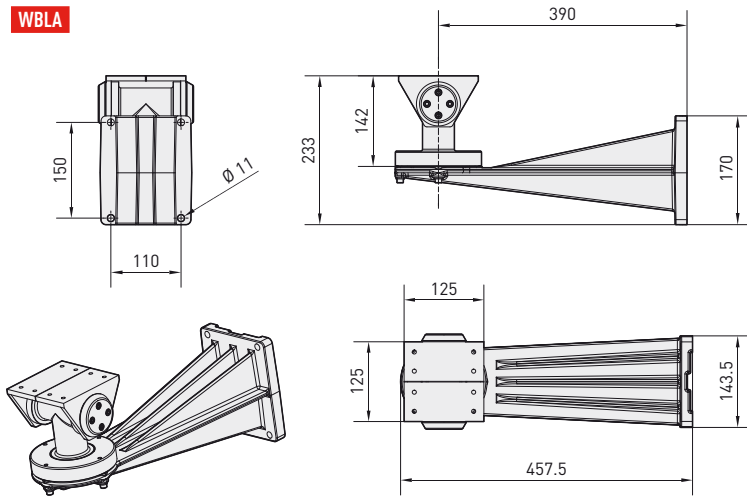
OWBIP3 Sealing rings kit (1xM12 – 1xM16 – 1xM20) to allow IP66/IP67 protection for WBOVA2 and WCM4A2 brackets (for HOV Hi-PoE and VERSO Hi-PoE mod. 600)

ENVIRONMENT

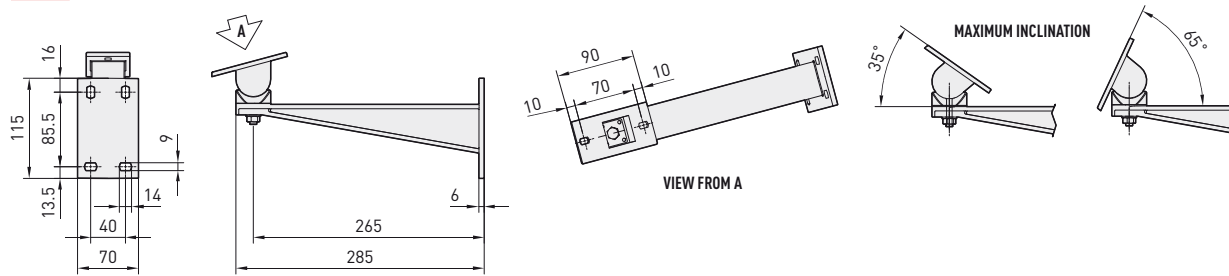
Indoor / Outdoor

	Unit Weight:	Package Weight:	Package Dimension (WxHxL):	Master Carton:
	WBLA 6.6kg / 14.5lb	WBLA 7kg / 15.4lb	WBLA 27x18x49cm / 10.6x7x19.3in	WBLA -
	WBJA 0.6kg / 1.3lb	WBJA 0.7kg / 1.5lb	WBJA 7.5x12x31cm / 2.9x4.7x12.2in	WBJA 20 units
	WBMA 0.5kg / 1.1lb	WBMA 0.6kg / 1.3lb	WBMA 7.5x12x23cm / 2.9x4.7x9.04in	WBMA 25 units
	WBOVA2 0.6kg / 1.3lb	WBOVA2 0.7kg / 1.5lb	WBOVA2 8.5x13x22cm / 3.3x5.1x8.6in	WBOVA2 25 units
	WBOV3A 2.4kg / 5.3lb	WBOV3A 2.5kg / 5.5lb	WBOV3A2 11x19x53cm / 4.3x7.5x20.8in	WBOV3A -
	WCM3A 1.8kg / 3.96lb	WCM3A 2.1kg / 4.6lb	WCM3A 13x32.5x27cm / 5.1x12.8x10.6in	WCM3A 12 units
	WCM4A2 1.3kg / 2.8lb	WCM4A2 1.7kg / 3.7lb	WCM4A2 10.5x36.5x36.5cm / 4.1x14.3x14.3in	WCM4A2 12 units
	WCM5A 1.4kg / 3.1lb	WCM5A 1.7kg / 3.7lb	WCM5A 10.5x36.5x36.5cm / 4.1x14.3x14.3in	WCM5A 12 units
	WCMPA 0.5kg / 1.1lb	WCMPA 0.6kg / 1.3lb	WCMPA 6x6x58.5cm / 2.3x2.3x23in	WCMPA -
	WFWCA 0.5kg / 1.1lb	WFWCA 1.0kg / 2.2lb	WFWCA 14.5x15x26.5cm / 5.7x5.9x10.4in	WFWCA 15 units
	OBJA 0.2kg / 0.44lb	OBJA 0.2kg / 0.4lb	OBJA 8.5x5.5x11.5cm / 3.3x2.2x4.5in	OBJA -

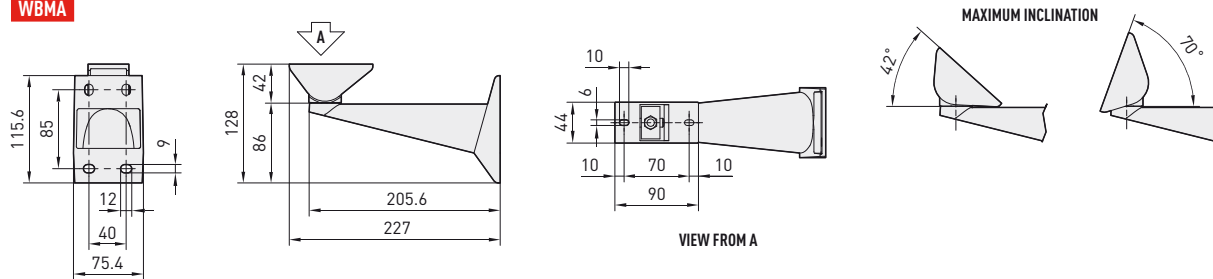
WBLA



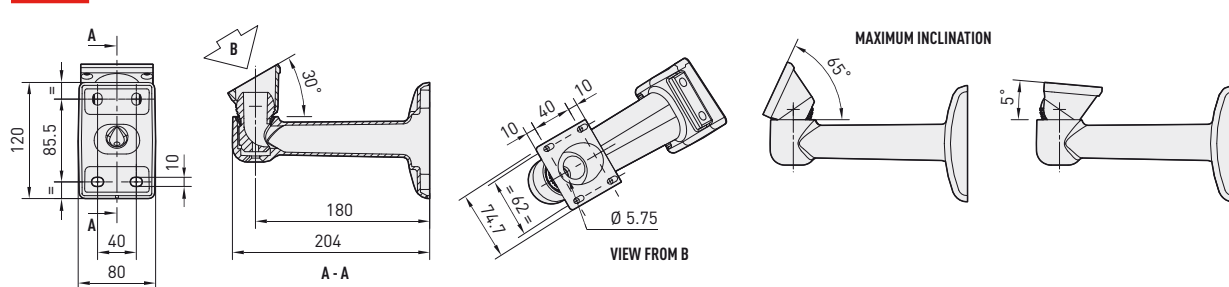
WBJA



WBMA

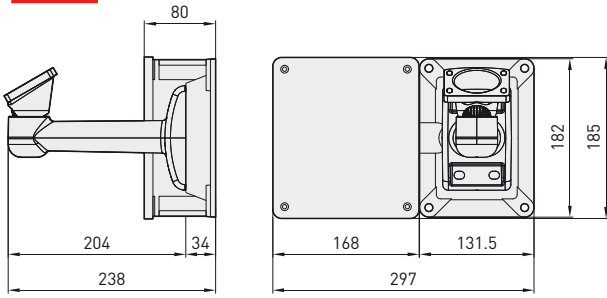


WBOVA2

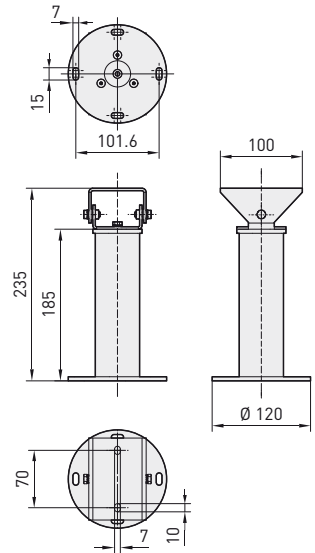


The values are in millimeters.

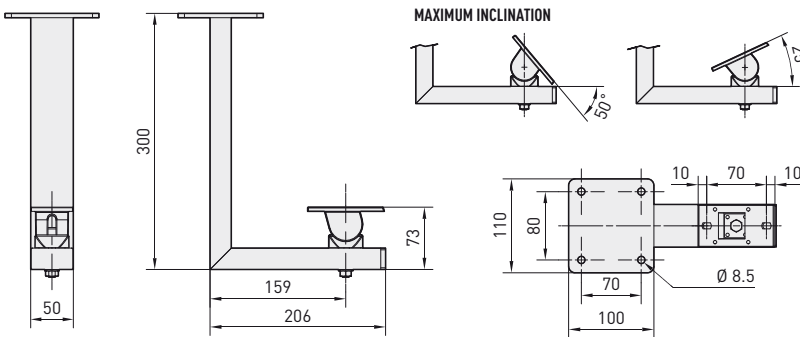
WBOV3A2



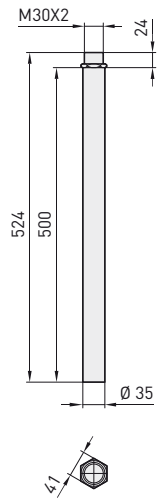
WFWCA



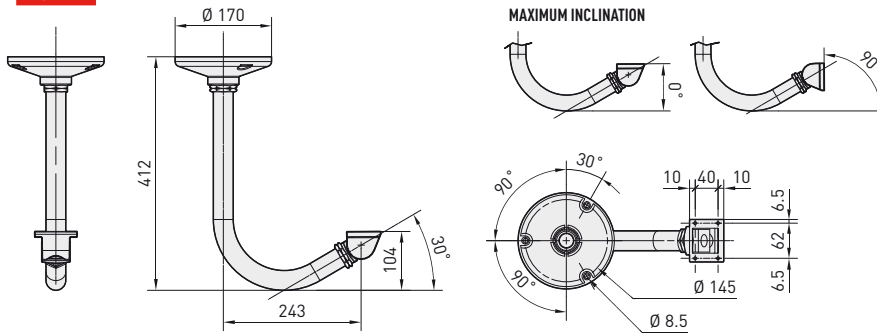
WCM3A



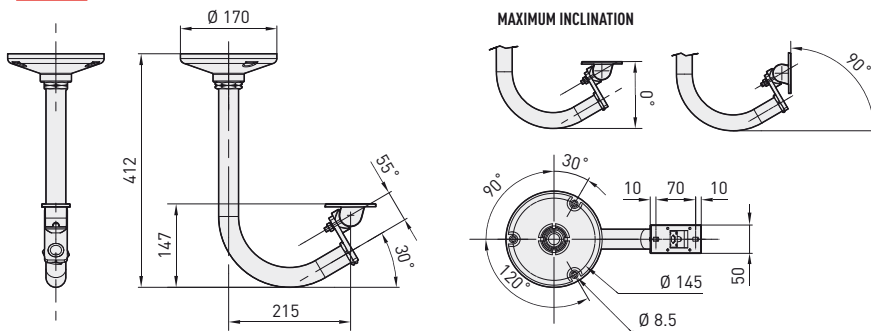
WCMPA



WCM4A2



WCM5A



The values are in millimeters.