

ELECTRIC STRIKE

012

APPLICATION

For new or replacement installations in metal jambs. Use with locksets having up to 5/8" throw.*

For Radius corners add RD to Model #

FEATURES

- FACE PLATE – 1-1/4" X 4-7/8"
- DURABILITY – 300,000 Life cycles
- HOLDING FORCE – 1200 lbs.
- SOLID BRASS LOCKING SYSTEM
- DIE CAST CASE
- SCRATCH AND CORROSION RESISTANT FACE PLATE
- SOLID CAST LATCH – Chrome Plated
Cavity Depth - 9/16"; Width - 9/16";
Height - 1-17/32"
- HEAVY DUTY LATCH SPRING
- MORTISE TYPE – Backset 1-5/8" Deep
- SOLENOID ACTUATED – Push/Pull Linkage
(Patent #3,910,617)
- FAIL SECURE (Standard Action)

STANDARDS

- ANSI – 1-1/4" X 4-7/8" Fits Cutout Specification A115.1 (with slight jamb modification)
- BHMA 156.5 – 1992, Grade 2

FINISH (Specify When Ordering)

- BRASS – Powder Coated (012)
- SATIN CHROME – US26D (012C)
- DARK BRONZE – Powder Coated (012DB)

ELECTRICAL CHARACTERISTIC CHART**

Three Magnetic Coils Available

FAIL SECURE NORMALLY LOCKED (Unlocked when energized)

VOLTAGE	CURRENT AMPS	OHMS	SOUND	DUTY
10-16 VAC	.60-.90	10.0	Buzz	Intm.
6-12 VDC	.50-1.0	10.0	Silent	Intm.
24 VAC	.42	47.0	Buzz	Intm.
24 VDC	.20	119.0	Silent	Intm./Cont.

FAIL SAFE (Reverse Action) NORMALLY UNLOCKED (012RS)
(Locked When Energized) Continuous duty DC Coil which is energized for longer than one minute. **Add RS to catalog number when ordering**

VOLTAGE	CURRENT AMPS	OHMS	SOUND
24 VDC	.20	119.0	Silent

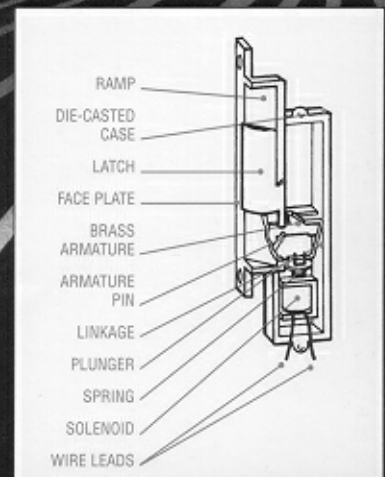
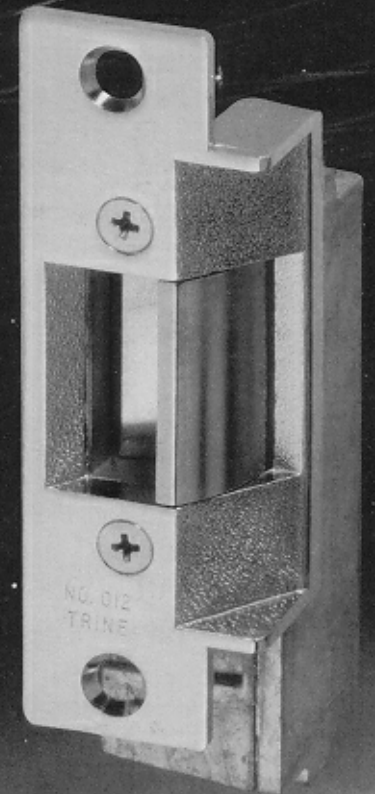
*5/8" Throw based on 1/8" door gap.

**Specify voltage when ordering

COMPATIBLE LOCKSETS

ACCURATE	62,66,69
ADAMSRITE	4700-8300, 8400
ARROW	C, H, M, L
BEST	5, 7, 50, 6TDL, 9
CORBIN	1400-5600, 6100-6600
DEXTER	DEXLOCK, DURALOCK
DOMINION	300, 400, 5000
GUARD	1990
FALCON	A, BA, D, E, F, N, S, X
HARLOC	6900
KWIKSET	400, 500, 582, 583
LOCKWOOD	930/970, 8000
LORI	80/8200, 81/8300,
LSDA	1000-1500, 100-150
MARKS	110, 180
MEDECO	EMBASSY
NATIONAL	400
PDQ	SH, SR, SV, SX
PARKER	160A, 9100, L7100, 2800
RUSSWIN	3400-4300, 400
SARGENT	6, 7, 8, 9, 10
SCHLAGE	A, F, BD
TACO	ED, HV, LXV, SV, MLV
TAYMOR	28
UNICAN	6000, 7004
WEISER	A, BA, D, E
WESLOCK	ALL LOCKS
YALE	5200, 5300

NOTE: Compatible lockset designations are offered as a convenience only; reference should be made to manufacturers catalogs for complete data as to exact requirements. Caution must be taken in the alignment of locks with latchbolts when used with an electric strike. The spacing between the door and door jamb varies. If the gap is exceptionally tight, the latchbolt may not project to its maximum length. Trine Products Company, assumes no liability for differences between items compared.



012