

SECO-LARM's new Bullet Cameras are the cost-effective way to make the latest video technology a part of a complete security installation. Two models, – black and white and color – for use in nearly any security situation. Adjustable bracket for wall and ceiling mount allows for fast, easy installations. EIA/NTSC models standard. *CCIR/PAL available by special request only.

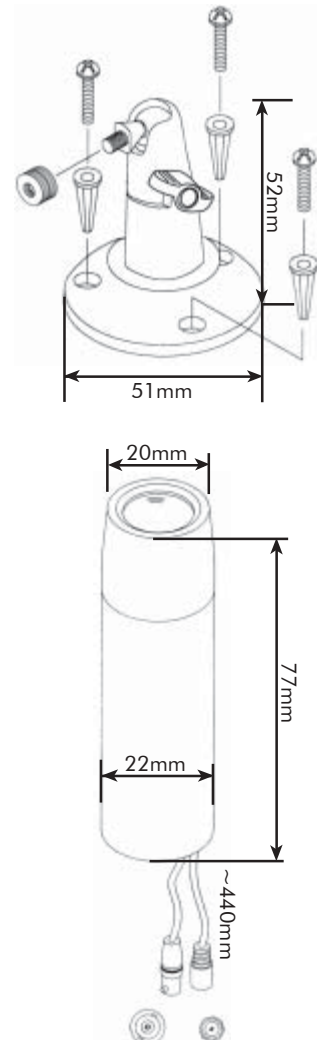


Product Specifications

	EV-1323B12 (EIA) / EV-1353B12 (CCIR)*	EV-1324C12 (NTSC) / EV-1354C12 (PAL)*
	Black and White Bullet Camera	Color Bullet Camera
CCD Image	1/3" CCD image sensor	1/4" CCD image sensor
Picture Elements	Samsung chip: EIA: 510*492 CCIR: 500*582	Sharp chip: NTSC: 512*492 PAL: 512*582
H. Sync Frequency	EIA: 15.734 KHz, CCIR: 15.625 KHz	NTSC: 15.734 KHz, PAL: 15.625 KHz
V. Sync. Frequency	EIA: 59.94 Hz, CCIR: 50 Hz	NTSC: 59.94 Hz, PAL: 50 Hz
V. Synchronization	Internal	Internal
Resolution (TV lines)	420	380
Minimum illumination	0.1 Lux	1 Lux
Back Light Compensation	Auto	Auto
Electronic Shutter	Auto, 1/50(1/60) - 1/100,000 sec.	Auto, 1/50(1/60) - 1/100,000 sec.
Auto Gain Control	Auto	Auto
Lens (F2.0)	3.6mm standard (6, 8, 12mm option)	3.6mm standard (6, 8, 12mm option)
Gamma Correction	0.45	0.45
S/N Ratio	More than 48 dB	More than 48 dB
Video Output	1 Vp-p, 75 Ohms	1 Vp-p, 75 Ohms
Power Supply	12VDC	12VDC
Power Consumption	125mA	125mA
Storage Temperature	-30°C ~ +60°C (-22°F ~ +140°F)	-30°C ~ +60°C (-22°F ~ +140°F)
Operating Temperature	-10°C ~ +45°C (14°F ~ +113°F)	-10°C ~ +45°C (14°F ~ +113°F)
Dimensions	22mm x 81mm(H) (0.87 x 3.19)"	22mm x 81mm(H)
Weight (Gross)	80g (2.8oz.)	80g (2.8oz.)

*CCIR/PAL available by special request only.

Dimensions



Now Available!
Contact SECO-LARM for pricing!