

## 1/3" CCD Color & B/W Cameras

EV-1123B24  
EV-1133C24

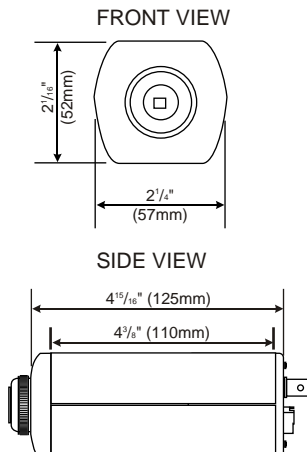
SECO-LARM's 1/3" CCD CCTV cameras are the cost-effective way to make the latest video technology a part of a complete security installation. Two models – a standard black and white camera and a high-resolution color camera – work with a wide range of lenses for use in nearly any security situation. Linelock synchronization and full programmability allow for fast, easy installations.



### Specifications:

	EV-1133C24	EV-1123B24
Type	High-Res Color Camera	Standard B/W Camera
Chip and sensor	1/3" CCD, Sony	1/3" CCD, Sony
Resolution	460 TV lines	400 TV lines
Pickup elements	768 x 492 pixels	510 x 492 pixels
Minimum illumination	0.5 lux (F1.2)	0.1 lux (F1.2)
Power consumption	5W (max.)	3.5W (max.)
Scanning system	2:1 interlace, V: 60Hz, H: 15.734KHz	
Sync	Linelock, V-phase adjustment 0°-270°	
Video output	1 Vp-p composite output, 75 ohms	
Lens mount	CS- or C-mount	
Gamma correction	0.45	
S/N ratio	>46dB (with AGC turned off)	
Iris control	Video out / DC iris for Galvano lens	
Shutter control	Programmable automatic/manual 1/60-1/100,000 sec.	
Backlight compensation	On/Off programmable	
Gain control	On/Off programmable	
Power source	24VAC	
Ambient temperature	14°-122° F (-10°-50° C)	
Relative humidity	30-90%	
Dimensions	5 <sup>9</sup> / <sub>16</sub> " x 2 <sup>1</sup> / <sub>4</sub> " x 2 <sup>1</sup> / <sub>16</sub> " (141 x 57 x 52 mm)	
Weight	16oz. (450g)	
Construction	Aluminum case	

### Dimensions:



Copyright 2008 SECO-LARM U.S.A., Inc. Allrights reserved.

The SECO-LARM policy is one of continual development. For that reason, SECO-LARM reserves the right to change prices and specifications without notice. SECO-LARM is not responsible for misprints.