

ICD-68

HIGH PERFORMANCE B/W SUPER DOME CAMERA

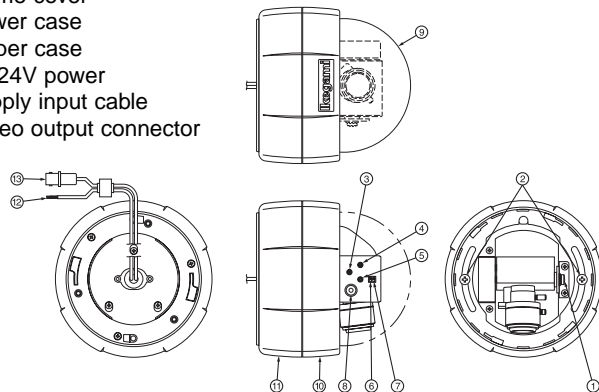


Features

- **Small dome**
Since the camera and lens are encased in the small dome shell which is quite different from the housing of ordinary camera, it is possible to monitor by image without awareness of the location of camera. (Indoor only)
- **Integration with varifocal lens (4~9 mm)**
The unit is integrated with varifocal lens from standard angle to x2.3 wide angle. Imaging focal depth can be adjusted freely by removing the dome cover.
- **High sensitivity**
Employment of the high-sensitivity CCD with on-chip micro lens and the high-performance AGC signal processing provides the unit high sensitivity minimum subject illumination as low as 0.3 lux at F1.6 (at full wide).
- **Line lock**
Since the operation of the unit is synchronized with the power supply frequency, a stable monitor image can be obtained without generation of screen scrolling at the time of switching of camera in automatic sequential image switching operation when plural sets of camera are used in the monitor system.
- **Backlight compensation**
Backlight can be compensated according to the subjects backlight intensity.
- **Mirror image function**
Since the unit is equipped with the mirror image function that can horizontally invert the image by switch operation, the image obtained by indirect monitoring with use of mirror can be flipped back to the normal image.

Parts and Functions

- ① Lens direction adjusting screw (Vertical direction)
- ② Lens direction adjusting screw (Horizontal direction)
- ③ Iris level control (IRIS LEVEL)
- ④ Line lock phase control (LL PHASE)
- ⑤ Backlight compensation level control (BLC LEVEL)
- ⑥ Backlight compensation selector switch (BLC)
- ⑦ Mirror image selector switch (MIR)
- ⑧ Test monitor image output connector (MON. OUT)
- ⑨ Dome cover
- ⑩ Lower case
- ⑪ Upper case
- ⑫ AC24V power supply input cable
- ⑬ Video output connector

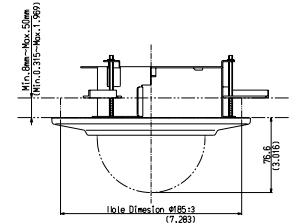
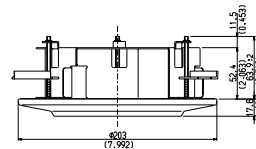
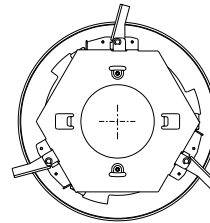


XHG-6829 Specifications

Weight: Approx. 510g
Color: Gray (Pantone Cool Gray)



XHG-6829 in Ceiling Mount Adapter



Specifications

- Imaging Device:** 1/3" Interline Transfer CCD
No. of effective pixels: 512 (H) x 492 (V) lines, approx. 250,000 pixels
- Sensing Area:** 4.8 (H) x 3.6 (V) mm
- Scan System:** EIA, 2:1 interlace
- Sync System:** Line lock (phase adjustable)
- Vertical Sync Frequency:** 60Hz
- Horizontal Sync Frequency:** 15.75kHz
- Video Output:** (1) VIDEO OUTPUT: VS1.0Vp-p/75 Ω
(2) MON. OUTPUT: VS1.0Vp-p/75 Ω
- Horizontal Resolution:** 380 TV lines
- S/N Ratio:** 48 dB (at standard illumination, weight-ON)
- Minimum Illumination:** 0.3 lux (30 IRE) Wide Angle Side
1.4 lux (50 IRE) Wide Angle Side
- Backlight Compensation (BLC):** ON/OFF switchable, level adjustable
- AGC:** Fixed at ON
- Built-in Lens:** Focal distance: F4.0 - 9.0 mm
Iris control: Auto iris control function
Focal depth: ∞ ~ 0.5 m
- Imaging Filed Angle:** Variable focal position
- | | Full wide angle | Full telescopic angle |
|-------------------------|-----------------|-----------------------|
| Horizontal filed angle: | 71.0° | 31.6° |
| Vertical filed angle: | 51.8° | 23.6° |
- Angle Adjustment:** • Horizontal: 0° - 360° (in mounting), ± 30° (in fine adjustment)
• Vertical: 7° - 166°
- Power Supply:** AC24V ± 10%, 60Hz
- Current Consumption:** Approx. 1.7W
- Working Ambient Temperature:** -10 to +50°C
- Outer Dimensions:** ø130 x H127 mm (Projections and accessories are excluded.)
- Weight:** Approx. 630g
- Input/Output Connectors:** Wire exposed for direct connection
• VIDEO OUTPUT: W/BNC
• AC 24V input: Loose end Dome inside
• MON. OUT (video output): RCA pin jack
- Accessories:** • Operation manual: 1 copy
• Mounting metals: 1 set
• Screws: 4 pcs.