

Ikegami

1/2" CCD Super Cube DSP Monochrome Camera

ICD-49 [EIA]

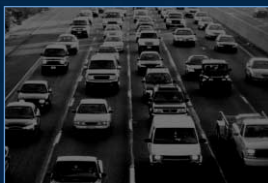
ICD-49E [CCIR]

The ICD-49/ICD-49E is a 1/2" CCD Super Cube DSP Monochrome Camera, which is High Sensitivity (0.0075 lux at F1.2) and High Resolution (Horizontal Resolution 570 TV Lines [EIA]/ 560 TV Lines [CCIR]). As it is a Cube Type with compact shape design, it applies to various installation purposes like inside installation in the ATM and various housing.



High Sensitivity

It is suitable for an outdoor surveillance, which requires 24 hours surveillance continuously, with its high sensitivity performance of 0.0075 lux at F1.2. Furthermore its sensitivity reaches to near-infrared range (800nm to 1000nm approx.), which is about five times higher than conventional IT CCD camera.



Conventional Camera



ICD-48/ICD-48E

High Resolution and High Quality Picture

It has a high horizontal resolutions of more than 570 TV Lines (EIA)/ 560 TV Lines (CCIR) and realizes a high quality picture of Signal to Noise ratio more than 50dB.

Low Smear Level

It is a low smear design of -120dB. Even if there are headlights of car on the scene at the parking lot, natural image can be taken.



Conventional Camera



ICD-48/ICD-48E

BLC (Back Light Compensation) function

It has BLC function for appropriate brightness, even if there is bright back light of subjects.

Fulfilling functions are equipped.

It has fulfilling functions like an AES (Automatic Electronic Shutter) function, 2 ways of Auto Iris Functions; VIDEO Iris and DC Iris, and a LINE LOCK function.

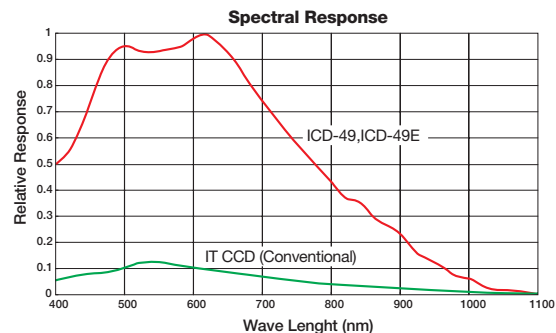
1/2" CCD Super Cube DSP Monochrome Camera

ICD-49 [EIA] / ICD-49E [CCIR]

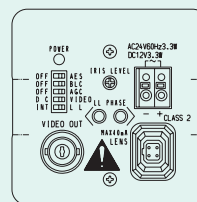
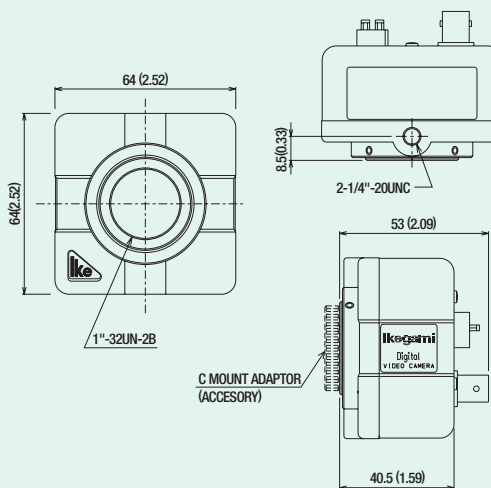


Specifications

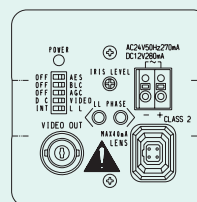
● Imaging Device	1/2 inch, Interline Transfer CCD
● Effective Pixels	EIA: 768(H) x 494(V), 380,000 pixels approx. CCIR: 752(H) x 582(V), 440,000 pixels approx.
● Scanning System	EIA: 525 lines at 59.94Hz, 2:1 interlace CCIR: 625 lines at 50Hz, 2:1 interlace
● Synchronization System	INTERNAL LOCK/LINE LOCK
● Video Output	VS 1.0 Vp-p/75 ohms
● Horizontal Resolution	EIA: 570 TV lines CCIR: 560 TV lines
● S/N Ratio	more than 50 dB (AGC OFF, DETAIL OFF, weight ON)
● Minimum Illumination	0.0075lux at F1.2 0.01lux at F1.4 (Light source: Halogen lamp, Color temperature: 2856K)
● BLC (Backlight Compensation)	ON/OFF switchable
● AES Function	ON/OFF switchable AES range: EIA: 1:1600, CCIR: 1:2000
● AGC (Automatic Gain Control)	ON/OFF switchable
● Auto Iris Function	Video Iris/DC Iris selectable (DC iris level is adjustable)
● Lens Mount	CS mount (C mount adaptor can be used)
● Flange Back Adjustment Mechanism	Built in
● Power Requirement	EIA: AC24V±10% 60Hz/DC12V (10.5V to 15V) CCIR: AC24V±10% 50Hz/DC12V (10.5V to 15V)
● Power Consumption	EIA: AC24V/DC12V 3.3W approx. CCIR: AC24V 270mA approx. DC12V 280mA approx.
● Operating Ambient Temperature	-10°C to +50°C (14°F to 122°F)
● Camera Mount	1/4"-20UNC
● Dimensions	W64 x H64 x D53 mm (W2.52 x H2.52 x D2.09inch)
● Weight	250g approx. (0.55 lbs)
● Input/Output Connectors	VIDEO OUT: BNC LENS: 4P (applicable connector E4-191J-150 or equivalent) AC24V/DC12V Input: 2P (push in terminal)
● Accessories	Operation Manual C Mount Adaptor Auto Iris Connector (E4-191J-150 or equivalent, CCIR only)



Dimensions:mm (inch)



ICD-49
AC24V/DC12V



ICD-49E
AC24V/DC12V

Design and specifications are subject to change without notice.

Ikegami IKEGAMI ELECTRONICS (U.S.A.), INC. ■ URL <http://www.ikegami.com>

U110A051-HI-K5 Printed in Japan

HEADQUARTERS 37 BROOK AVENUE, MAYWOOD, NJ 07607
Phone:(201) 368-9171 Fax:(201) 368-1305

WESTCOAST OFFICE 2631 MANHATTAN BEACH BLVD., REDONDO BEACH, CA 90278 Phone:(310) 297-1900 Fax:(310) 536-9550

SOUTHWEST OFFICE 733 BEARDEN ROAD, WAXAHACHIE, TX 75167 Phone:(972) 869-2363 Fax:(972) 556-1057

MIDWEST OFFICE 747 CHURCH ROAD, UNIT C1 ELMHURST, IL 60126 Phone:(630) 834-9774 Fax:(630) 834-8689

SOUTHEAST OFFICE 5200 N.W. 33RD AVENUE, SUITE 111 FORT LAUDERDALE, FL 33309 Phone:(954) 735-2203 Fax:(954) 735-2227



Certified
JQA-0755



Accredited by the Dutch
Council for Certification