

## SH24W-153075

### Select-A-Horn/Strobe™ Combination

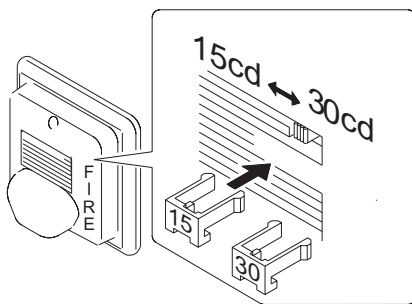
#### Description:

AMSECO's *Select-A-Horn/Strobe* Series is designed to comply with the Americans with Disability Act (ADA) and meet UL Standard 1971 requirements for emergency signaling devices for the hearing impaired. The SH24W series *Select-A-Horn/Strobe* features a unique candela intensity field selector switch for alternating the candela output 15cd to 30cd (75cd on axis). The Horn provides two different field selectable tones, and a High / Low output setting that can be achieved with the use of mini jumpers located on back of the unit. The strobe housing is clearly labeled with vertical "FIRE" lettering and is polarized for connecting to supervised fire alarm circuits. The strobe is designed with a xenon flashtube and provides a candela intensity field selector switch for maximum performance. The *Select-A-Horn/Strobe* series is available in red and white housing 24V DC models. The SH24W-153075 can be synchronized by using the SMS1-3A Sync Module to comply with NFPA recommendations concerning photosensitive epilepsy when installing 2 or more visual appliances within the field of view. The strobe signals are listed for indoor use, wall mount, under UL 1971 Standard.

#### Application:

The SH24W-153075 Horn/Strobe Series is recommended for use in areas such as: meeting rooms, schools, corridors, apartments, office buildings, restaurants, hotels, and any other application where effective audible and visual warning are required by Federal, State, or local authority having jurisdiction.

#### Strobe Selectable Candela Output:



Tamper Proof



Horn/Strobe with Universal Mounting Plate Included



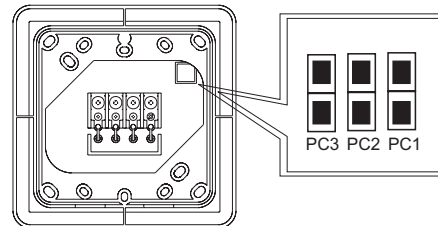
MEC



#### Features:

- \* Designed to meet or exceed NFPA/ANSI Standards and ADA Accessibility Guidelines.
- \* UL listed for wall mounting.
- \* Screw terminal capacity up to 12 AWG.
- \* Universal mounting plate included with each unit.
- \* 24V DC strobe with two field selectable settings 15cd or 30cd.
- \* Polarized strobes with wide listed voltage ranges using filtered DC or unfiltered FWR input voltage.
- \* Horn field selectable tones:  
3000 Hz interrupted or Electro-mechanical  
Temporal or Non-temporal  
High or Low dBA output
- \* Meets ADA guidelines for minimum one flash per/sec (1Hz).
- \* All models mount to 4" square, single gang, double gang, or octagonal back box.
- \* 24 volt strobe models 15 or 30 candela intensity.
- \* Tamper-proof candela selector switch.
- \* Synchronization requires an AMSECO SMS1-3A Sync Module.
- \* Available in red or white housing.

#### Horn Selectable Sound Output:



Temporal - Non-Temporal  
Electro Mech - 3000 Hz  
High - Low

#### Ordering Information:

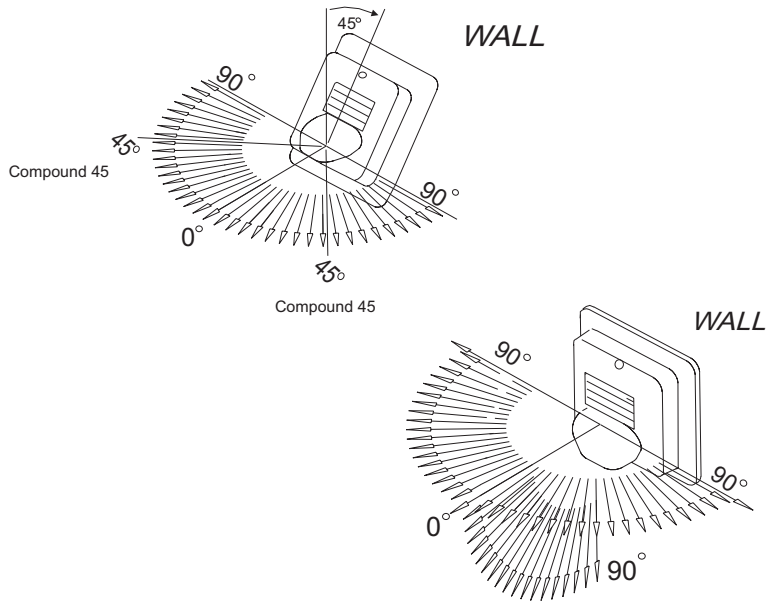
Model Number	Input Voltage (VDC)	Selectable Strobe Output (Candela)	Sync Module	Mounting Type	Horn Sound Output	Wiring Type	Housing Color
SH24W-153075R	24	15 or 30	SMS1-3A	Wall Only	Selectable	Terminals	Red
SH24W-153075W	24	15 or 30	SMS1-3A	Wall Only	Selectable	Terminals	White

**Engineering Specifications:**

The audible and visual alarm indicating appliance shall be AMSECO model SH24W-153075 or equivalent device. The Strobe shall be listed under UL 1971 Standard for signaling devices for the hearing impaired and shall be approved for fire protective service. The candela output shall be field selectable, having a dual setting of 15cd or 30cd output. The Horn shall provide two different field selectable tones and a High and Low field selectable sound output setting. The signaling Horn/Strobe shall operate on 24VDC from a non-coded regulated DC supply or full-wave rectified, unfiltered supply. The signaling strobe shall be designed to produce a signal flash of one flash per second with continuously applied minimum voltage. The Horn/Strobe shall be capable of WALL mounting to a universal backbox. Visual signaling devices shall be mounted 80" above the highest floor point or 6" below ceiling; (whichever is lowest) and are to be installed as per plans and specifications.

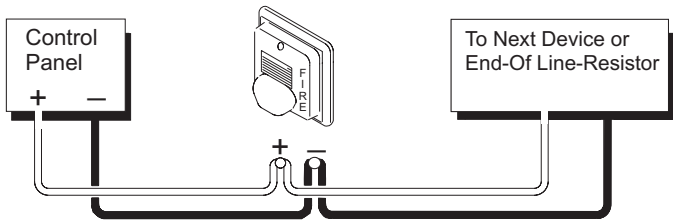
**Light Output Distribution / Horizontal and Vertical Dispersion:**

UL Required Minimum Light Output (cd)				
Degrees	Wall Mount Horizontal		Wall Mount Vertical	
	@15cd	@30cd	@15cd	@30cd
0	75.00	75.00	75.00	75.00
5 ~ 25	13.50	27.00	13.50	27.00
30	11.25	22.50	13.50	27.00
35	11.25	22.50	9.75	19.50
40	11.25	22.50	6.90	13.80
45	11.25	22.50	5.10	10.20
50	8.25	16.50	4.05	8.10
55	6.75	13.50	3.30	6.60
60	6.00	12.00	2.70	5.40
65	5.25	10.50	2.40	4.50
70	5.25	10.50	2.25	4.50
75	4.50	9.00	1.95	3.90
80	4.50	9.00	1.80	3.60
85 ~ 90	3.75	7.50	1.80	3.60
Compound 45	3.60	7.20		

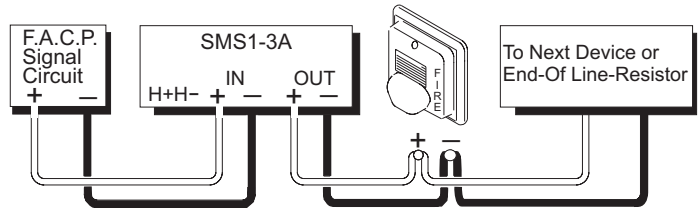


Sound Output Dispersion (dB)		
Degrees	Wall Mount Horizontal	Wall Mount Vertical
+90	-6 dB	-3 dB
+60	-2 dB	-2 dB
+30	-1 dB	-1 dB
0	0 dB	0 dB
-30	-1 dB	-3 dB
-60	-2 dB	-5 dB
-90	-6 dB	-6 dB

**Horn/Strobe Combination Wiring:**

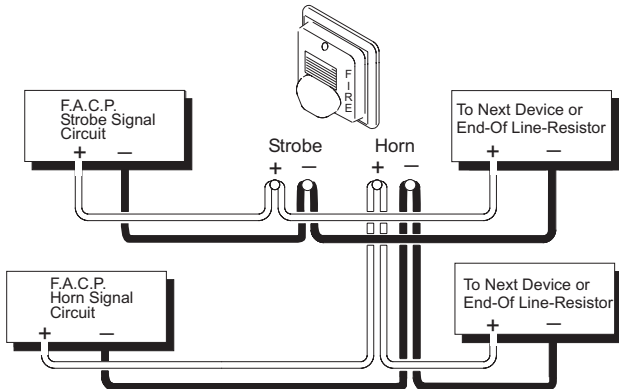


**Wired Without Audible Silence Feature:**

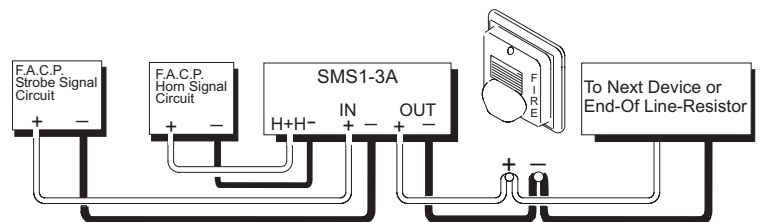


\*The Sync module is rated for 3.0 amperes at 24 VDC.

**Signals Wired for Independent Operation:**



**Wired for Audible Silence Feature:**



**WARNING:**

- \* Strobes must be used only on circuits with continuously operating voltage. DO NOT use strobe on coded or interrupted Circuits in which the applied voltage is interrupted ON and OFF as the strobe may fail to flash.
- \* The applied voltage must be within its rated input voltage range.
- \* Fuse ratings on signaling circuits must handle peak currents from all devices connected to those circuits.

**Horn/Strobe Current Draw Table:**

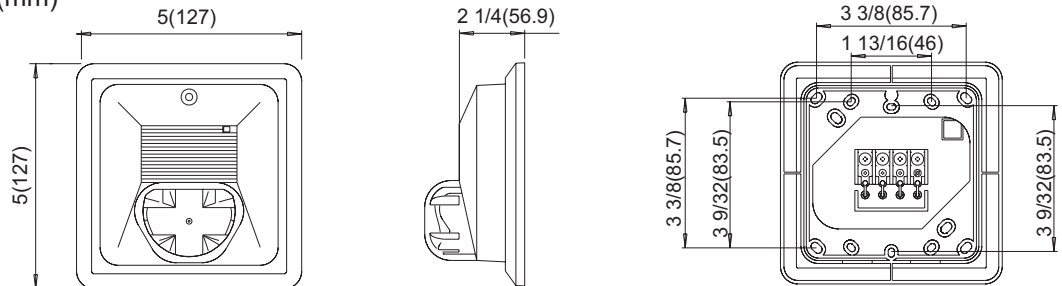
	PC3 Pattern	PC2 Tone	PC1 Volume	P C 3	P C 2	P C 1	Average Current (mA)						Sound Output (dBA @ DC)		
							DC			FWR			16V	24V	33V
							16V	24V	33V	16V	24V	33V			
@ 15cd	NON-TEMP	Electro	High	1	1	1	111	92	91	151	119	115	85	87	88
			Low	1	1	0	99	79	80	138	104	90	75	78	81
		3000 Hz	High	1	0	1	111	92	91	151	119	115	85	88	88
			Low	1	0	0	99	79	80	138	104	90	75	78	81
	TEMPORAL	Electro	High	0	1	1	111	92	91	151	119	115	81	83	84
			Low	0	1	0	99	79	80	138	104	90	71	75	77
@ 30cd	NON-TEMP	Electro	High	1	1	1	157	124	128	213	161	141	85	87	88
			Low	1	1	0	145	111	105	200	146	116	75	78	81
		3000 Hz	High	1	0	1	157	124	128	213	161	141	85	88	88
			Low	1	0	0	145	111	105	200	146	116	75	78	81
	TEMPORAL	Electro	High	0	1	1	157	124	128	213	161	141	81	83	84
			Low	0	1	0	145	111	105	200	146	116	71	75	77
Horn Only	NON-TEMP	Electro	High	1	1	1	27	35	52	36	45	64	85	87	88
			Low	1	1	0	15	22	39	23	30	39	75	78	81
		3000 Hz	High	1	0	1	27	35	52	36	45	64	85	88	88
			Low	1	0	0	15	22	39	23	30	39	75	78	81
	TEMPORAL	Electro	High	0	1	1	27	35	52	36	45	64	81	83	84
			Low	0	1	0	15	22	39	23	30	39	71	75	77
3000 Hz	Mechanical	High	0	0	1	27	35	52	36	45	64	80	83	84	
		Low	0	0	0	15	22	39	23	30	39	71	75	77	

**Strobe Only Current Draw Table:**

Average Current (mA) 24 volt models							Peak Current (mA) 24 volt models						In-Rush Current (mA) 24 volt models							
Candela	16V		24V		33V		Candela	16V		24V		33V		Candela	16V		24V		33V	
	DC	FWR	DC	FWR	DC	FWR		DC	FWR	DC	FWR	DC	FWR		DC	FWR	DC	FWR	DC	FWR
15	84	118	60	89	47	76	15	122	264	99	224	84	205	15	122	264	100	224	119	205
30	129	178	91	128	71	102	30	164	368	129	298	115	264	30	164	368	135	298	223	264

The SH24W-153075 series horn/strobe is listed for indoor use with a temperature operating range of 32° F ~ 120° F ( 0° C ~ 49° C ).

**Dimensions:** Inches (mm)



**Mounting Options:**

Strobe with Universal mounting plate and single gang box.

2" back box

Universal Mounting Plate

Horn/Strobe

Strobe with Universal mounting plate and 4" square back box.

4" x 4" x 1-1/2" back box

Universal Mounting Plate

Horn/Strobe

Strobe with Universal mounting plate and double gang box.

4" x 4" x 1-1/2" back box

Universal Mounting Plate

Horn/Strobe

Strobe with Universal mounting plate and surface mount back box.

4SP-M Mounting Plate

4BX-1 Surface Mount back box

Horn/Strobe

# SMS1-3A Sync Module

When used with the SH24W Horn/Strobe Series the SMS1-3A provides synchronized temporal pattern and a synchronized strobe flash while using a single pair of wires on a single class "A" circuit.



SMS1-3A Sync Module



Model Number	Input Voltage (VDC)	Maximum Load (Amps)	Average Current (mA)	Mounting Back Box	Color
SMS1-3A	24	3	9	4"x4"x1-1/2"	Red

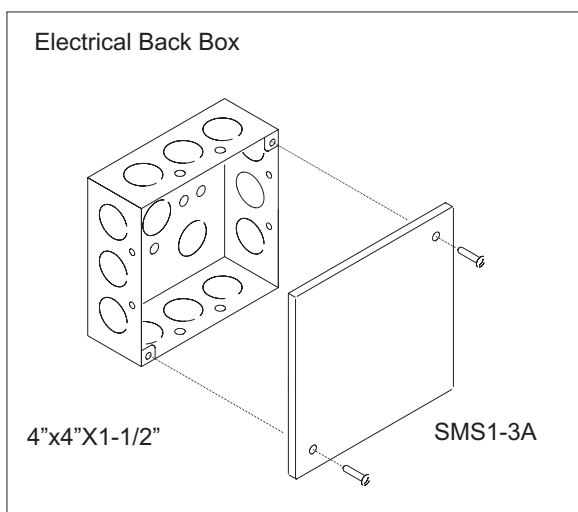
\* The total current draw from all devices connected to the SMS1-3A should not exceed 3.0A.  
 \*\*The SMS1-3A should only be connected to circuits that provide continuously applied voltage.

### SMS1-3A Current Draw Table:

Voltage	Average		Peak		In-Rush	
	DC	FWR	DC	FWR	DC	FWR
20V	8mA	8mA	31mA	57mA	44mA	62mA
24V	9mA	9mA	32mA	62mA	52mA	75mA
30V	10mA	10mA	33mA	66mA	70mA	94mA

The SMS1-3A module is listed for indoor use with a temperature operating range of 32°F ~ 120°F ( 0°C ~ 49°C ).

### Mounting:



### Dimensions: Inch (mm)

